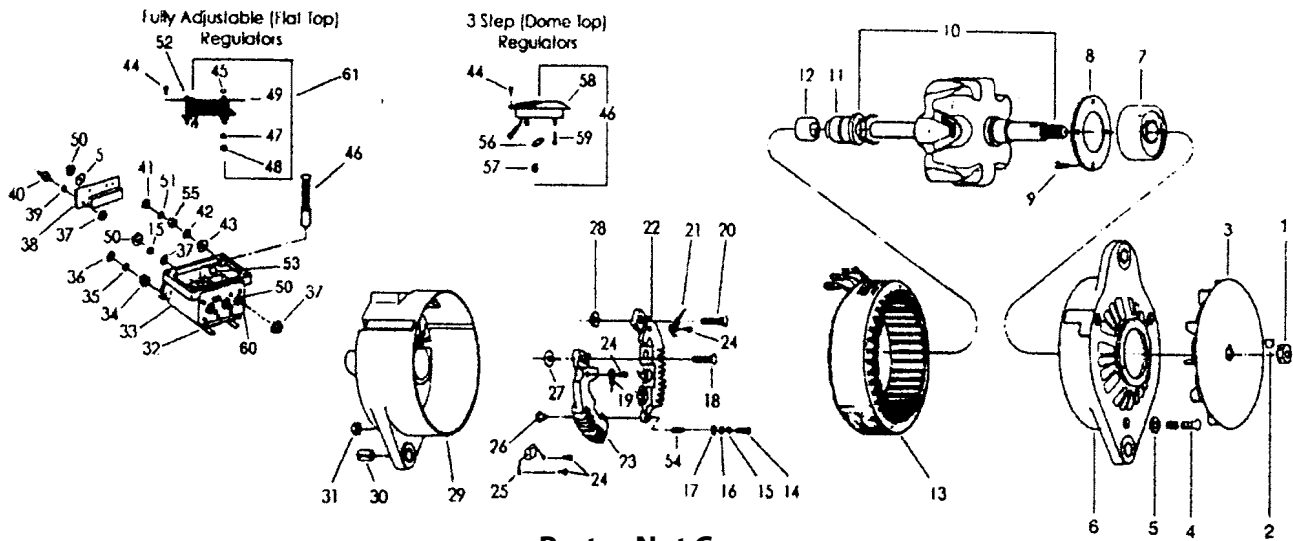


GROUP:	LC Series
FORM:	W-4
FILE:	Alternator Parts List Section
DATE:	May, 2004

PRODUCTS COVERED

MODEL	VOLTS	AMPS
2500LC	12	100
2526LC	12	108
2670LC	12	130
2700LC	12	130
2800LC	12	160
2802LC	12	160
2805LC	12	145
2808LC	12	145
2824LC	12	160



Parts - Not Common

Ref. No.	6	10	13	18	20	22	23	29	33	61
Description	D.E. Hsng.	Rotor	Stator	Term. Screw Pos.	Term. Screw Neg.	Neg. Rect. Assy.	Pos. Rect. Assy.	S.R.E. Housing	Holder Assy.	Reg.
Qty	1	1	1	1	1	1	1	1	1	1
2500LC	78983	101982	100195	78997	79313	101903	101902	101993	101711	103450
2700LC	78983	101982	100159	78997	79313	101903	101902	101993	101711	103450
2670LC	78983	101982	100159	78997	79313	101903	101902	101993	101711	103450
2800LC	78983	101991	96104	78997	79313	97085	97084	101993	101711	103450
2802LC	78983	101991	96104	78997	79313	102220	102219	101993	101711	103450
2805LC	78983	101991	97561	97086	97086	102220	102219	101993	101711	103450
2808LC	78983	101991	97561	100678	97596	102220	102219	102070	101711	99921
2526LC	78983	101982	100195	78997	79313	101903	101902	101993	101711	103450
2824LC	78983	101991	96104	97086	97086	102220	102219	101993	99290	101900

Important: The information contained in this bulletin is intended for use by trained, professional technicians who have the proper tools, equipment, and training to perform the required maintenance described above. This information is NOT intended for 'do-it-yourselfers', and you should not assume that this information applies to your equipment. If you have any questions regarding this information please visit our website at www.prestolite.com, or contact our customer service department at:

GROUP:	LC Series
FORM:	W-4

Ref. No.	Part No.	Qty.	Description	Ref. No.	Part No.	Qty.	Description
1	76985	1	Nut, 5/8-18 Hex. Flange	42	120-378	2	Plain Washer, .203-.500-.0
2	6399	1	Key, No. 8 Woodruff	42	26228	1	Plain Washer
3	79035	1	Fan Assembly	43	73009	1	Nut, 5/16-18
4	78991	3	Screw, 10-32 x 5.38" Hex	43	73009	2	Nut, 5/16-18 (2824LC)
5	101896	1	Seal, Grease	43	59982	1	Nut, 1/4-20
7	35624	1	Bearing	44	120-379	4	Screw, 8-32 x .44" Pan Hd.
8	59234	1	Retainer Bearing	44	96651	4	Screw (2824LC)
9	101895	4	Screw, 10-32 x .44" Fl. Hd.	45	97287	1	Plug. Nylon Screw (See Note 2)
11	101866	1	Slip Ring 71189	46	77650	2	Brush
12	101836	1	Long Needle Bearing	47	74133	2	Lockwasher, #6 (See Note 2)
14	6423	2	Screw	48	79394	2	Nut, 6-32 Hex. (See Note 2)
14	100550	2	Screw, 10-32 x .75"	49	97706	1	Regulator Gasket (See Note 2,4)
15	2434	3	Lockwasher, #10	50	2313	6	Nut, 10-32 Hex. St.
16	5291	2	Washer, Guard 120-378	51	3231	2	Lockwasher, 5/16"
17	13657	2	Washer, Insulation				(2526JC,LC)
19	95076	1	Lead Assembly (+)				(2700JC,LC)
19	99238	1	Lead Assy (2824LC)				(2802JC,LC)
21	95080	1	Lead Assembly (-)				(2805JC,LC)
24	120-388	4	Screw, 6-32 Hex. Hd. S'tap	51	2523	2	Lockwasher, 1/4"
25	96545	1	Capacitor (See Note 1)				(2526JC,LC)
26	73547	2	Bushing, Insulation				(2700JC,LC)
27	96851	1	Bushing, Insulation				(2802JC,LC)
28	96851	1	Bushing, Insulation				(2808JC,LC)
28	96850	1	Bushing, Insulation	52	78527	2	Protector Cap (See Note 2)
30	120-365	1	Bushing, Slideable	53	79033	1	Screw, 10-32 Square Hd.
31	74732	3	Nut, 10-32 Elastic Stop	54	97087	2	Bushing, Insulation (2800JC, 2802JC, 2805JC)
32	79031	1	Gasket	55	59040	1	Nut, 5/16 Hex. St. (2800JC, 2805JC)
34	73009	1	Nut, 5/16-18 Tenz	55	2771	1	Nut, 1/4" Hex. St.
35	3231	1	Lockwasher, 5/16	56	96257	1	Strap (See Note 3)
36	2364	2	Nut, Hex. 5/16-18	57	1000110	2	Screw, 6-32 x .32 Pan Hd. Sems
			(2526JC,LC)				(See Note 3) 4-40 x .25
			(2700JC,LC)	58	95086	1	Gasket, Regulator (See Note 3)
			(2802JC,LC)	58	100643	1	Gasket, Regulator (2824LC)
			(2805JC,LC)	59	100111	2	Screw, 6-32 x .30 Ig Pan Hd. Sems
37	79024	5	Nut, 10-32 Tenz	60	78994	3	Stud, Terminal
38	116-147	1	Terminals & Wire (2824LC N/R)	61	78145	1	Cap (2808JC,LC)
39	29968	1	Lockwasher, #10 Ext. S'proof				
			(2824LC N/R)				
40	79036	1	Terminal Assembly				
41	2364	1	Nut, 5/16-18				
41	2771	2	Nut, 1/4-20 Hex.				
			(2526JC,LC)				
			(2700JC,LC)				
			(2802JC,LC)				
			(2808JC,LC)				
41	73009	2	Nut, 5/16-18 (2824LC)				

NOTES:

1. Capacitor #96545 (Ref. #25) requires two screws (Ref. #24).
2. Ref. numbers: 45, 47, 48, 49, 52 are used with "Flat Top" regulators. These parts are supplied with each regulator.
3. Ref. numbers: 56, 57, 58, 59 are used with "Dome Top" regulators. These parts are supplied with each regulator.
4. Regulator for 2824LC is a "Flat-top" Regulator.

Important: The information contained in this bulletin is intended for use by trained, professional technicians who have the proper tools, equipment, and training to perform the required maintenance described above. This information is NOT intended for 'do-it-yourselfers', and you should not assume that this information applies to your equipment. If you have any questions regarding this information please visit our website at www.prestolite.com, or contact our customer service department at: